

4/2 Directional control valves

Nominal size 4 and 7

Solenoid pilot operated poppet spool valve

Port size G 1/8, manifold system G 1/4

Operating pressure 1 to 10 bar



Description (standard unit)

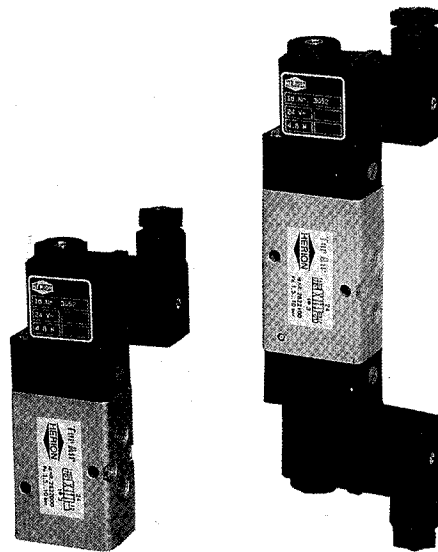
solenoid valve for filtered, lubricated ¹⁾ or non-lubricated air

Flow direction: Fixed

Temperature range: -10 to +60 °C

Features

- standard manual override with and without detent
- mounting position optional
- small size
- exhaust air attenuated
- high flow rate
- common exhaust
- easy installation
- connector interface to DIN 43650, Form B
- low power consumption



Parameters

Symbols ³⁾	Nominal size	Port size	Operating pressure [bar]		Flow rate QN l/min	Switching time ²⁾ approx. [ms]		Weight [kg]	Dimensional drawing	Cat. No.	
			min	max		ON	OFF			Valve	solenoid
	Power consumption 5 watt (6 VA)										
	4	G 1/8	1	10	700	20	20	0.3	01	2622000	See solenoid table
	7	G 1/4	1	10	1900	24	27	0.39	01	2622200	See solenoid table
	Power consumption 5 watt (6 VA)										
	4	G 1/8	1	10	700	11	12	0.4	02	2622100	See solenoid table
	7	G 1/4	1	10	1900	24	27	0.62	02	2622300	See solenoid table
	Power consumption ≤ 2 watt										
	4	G 1/8	1	8	700	19	62	0.3	01	2622001	See solenoid table
	7	G 1/4	1	8	1900	23	75	0.39	01	2622201	See solenoid table
	Power consumption ≤ 2 watt										
	4	G 1/8	1	8	700	11	12	0.4	02	2622101	See solenoid table
	7	G 1/4	1	8	1900	24	27	0.62	02	2622301	See solenoid table

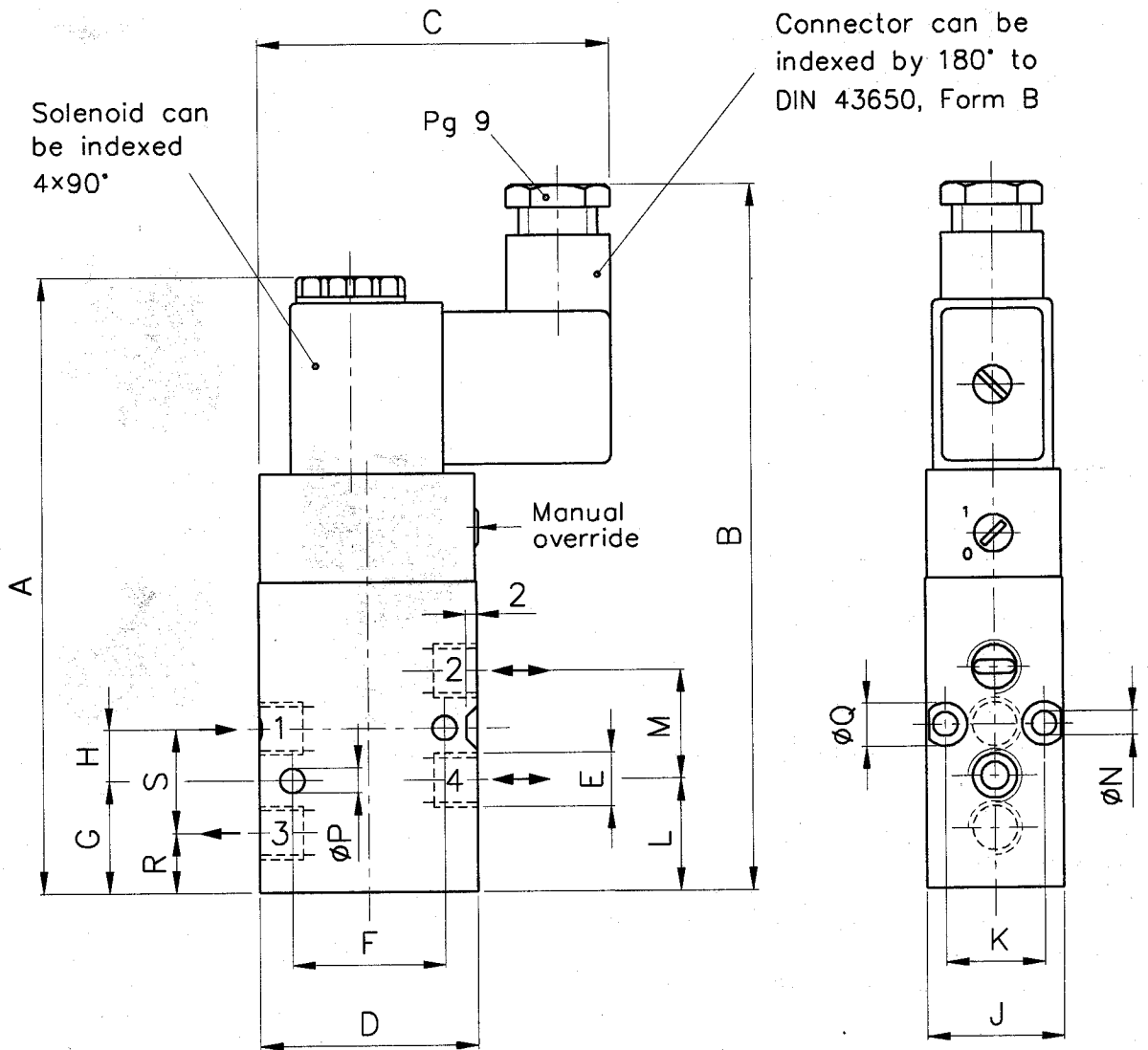
1) Oil recommendation: Shell Hydrol DO 32, ESSO Febis K32 (as of July 1992) or comparable oils with DVI values < 8 (DIN 53521) and ISO viscosity class 32-46 (DIN 51519)

2) at 6bar to VDI 3290 with DC solenoid

3) Port 3 not throttleable

Dimensional drawing

01

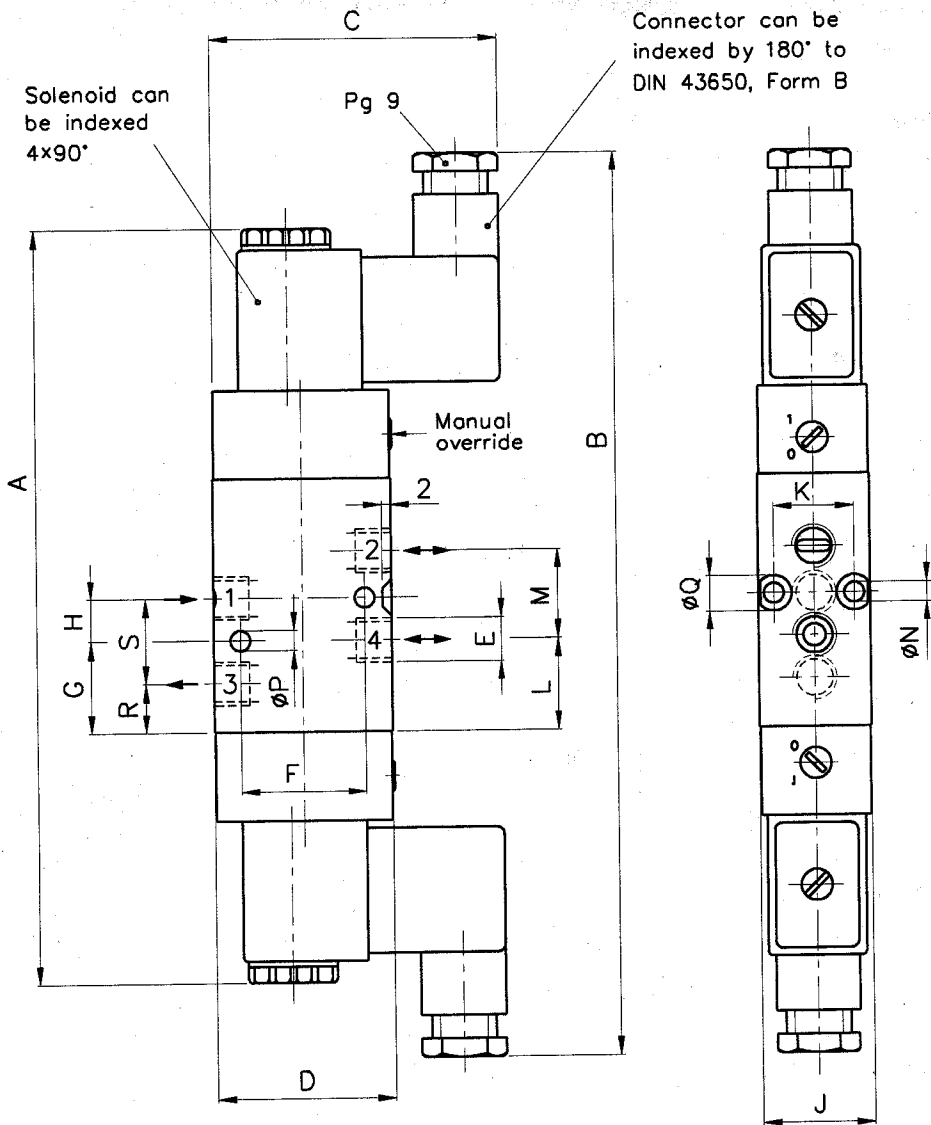


Dimension Table (mm)

Cat. No.	A	B	C	D	E	F	G	H	J	K	L	M	N	Q	P	R	S
2622000	110.5	131.5	68.5	40	G1/8	28	20.5	9.5	25	18	20.5	20	4.5	8	4.5	11.0	19
2622001	110.5	131.5	68.5	40	G1/8	28	20.5	9.5	25	18	20.5	20	4.5	8	4.5	11.0	19
2622200	130.5	152.0	~83	55	G1/4	32	28.5	12.0	30	23	28.5	24	4.5	—	5.5	11.5	29
2622201	130.5	152.0	~83	55	G1/4	33	28.5	12.0	30	23	28.5	24	4.5	—	5.5	11.5	29

Dimensional drawing

02



Dimension Table (mm)

Cat. No.	A	B	C	D	E	F	G	H	J	K	L	M	N	Q	P	R	S
2622100	168	210	68.5	40	G1/8	28	25	9.5	25	18	25	20	4.5	8	4.5	15.5	19
2622101	168	210	68.5	40	G1/8	28	25	9.5	25	18	25	20	4.5	8	4.5	15.5	19
2622300	185	227	~83	55	G1/4	32	36	12.0	30	23	36	24	4.5	—	5.5	19	29
2622301	185	227	~83	55	G1/4	33	36	12.0	30	23	36	24	4.5	—	5.5	19	29

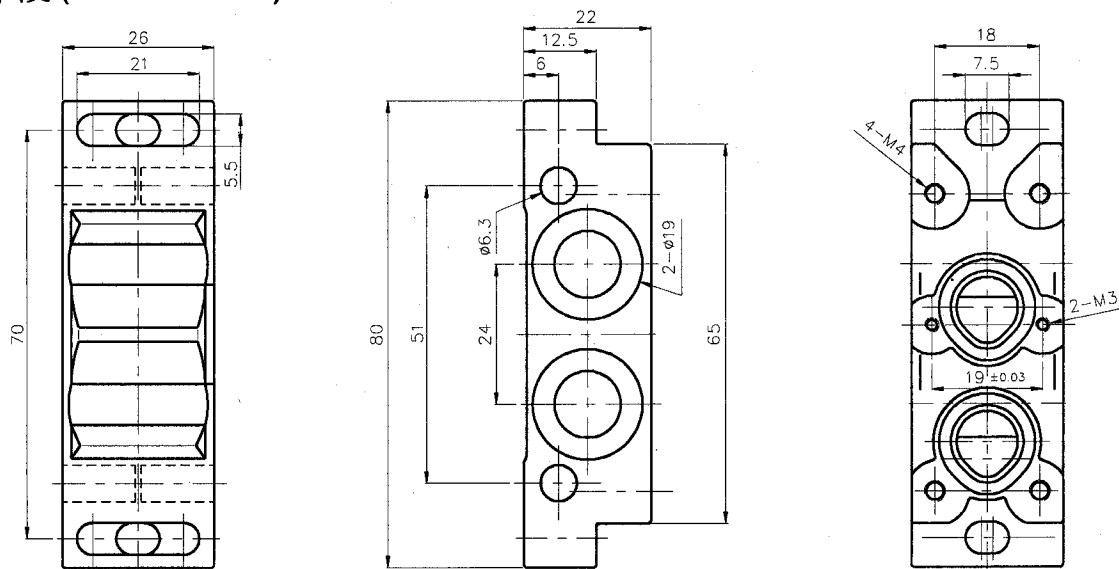
2622000

組合式連座

Solenoid & pilot actuated manifold

Model No. MX4A

中段 (middle section)



Model No. MX4B

頭尾端 (end section)

