

## 3/2 Directoinal Control Valves

Norminal size 1.3

Direct solenoid actuated poppet valves, normally closed

Internal thread, battery type design

Port size G 1/4 and G1/8

Operating pressure: 10 bar max.



### Description (standard unit)

Solenoid valve for filtered, lubricator

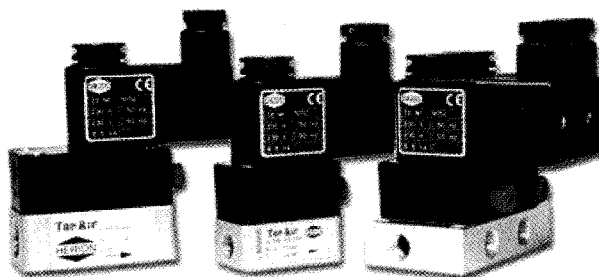
or non-lubricated air

Flow direction: Fixed

Temperature range: -10 to +60 °C

Material : Body : ALUMINUM

Material : Seat seal : NBR



### Features

- Compact design
- Interchangeable solenoid system
- Also suited for coarse vacuum
- Exhaust port provided with silencer
- With manual override
- Mounting position optional

### Parameters

Symbol	Norminal size	Port size	Operating pressure [bar]		Flow rate QN[ l/min]	Switching time <sup>1)</sup> approx. [ms]		Weight [kg]	Dimensional drawing No.	Cat. No.	
			min.	max.		on	off			Valve	Solenoid
	1.3	G 1/4	0	10	110	18	20	0.16	01	9032930	See solenoid table
	1.3	G 1/8	0	10	110	18	10	0.16	02	9032950	
	1.3	G 1/4	0	10	110	18	20	0.25	03	9032830	

1) At a pressure of 6 bar to VDI 3290, with DC type solenoid

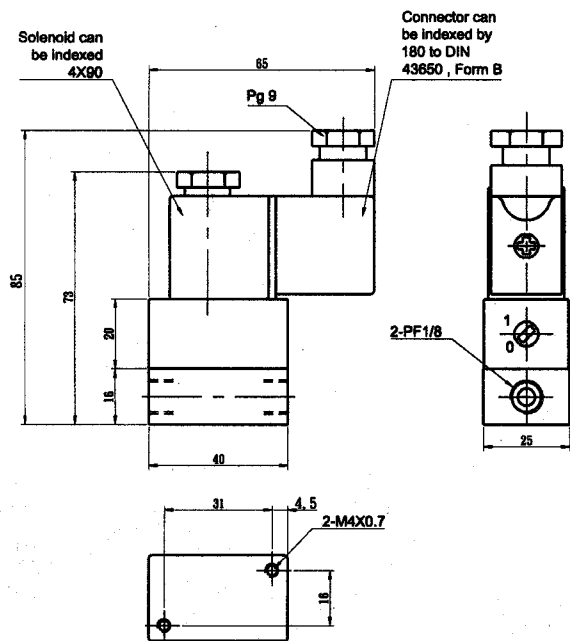
- Tight solenoid core tube with at least 0.2 to max. 0.5 Nm

### Further versions

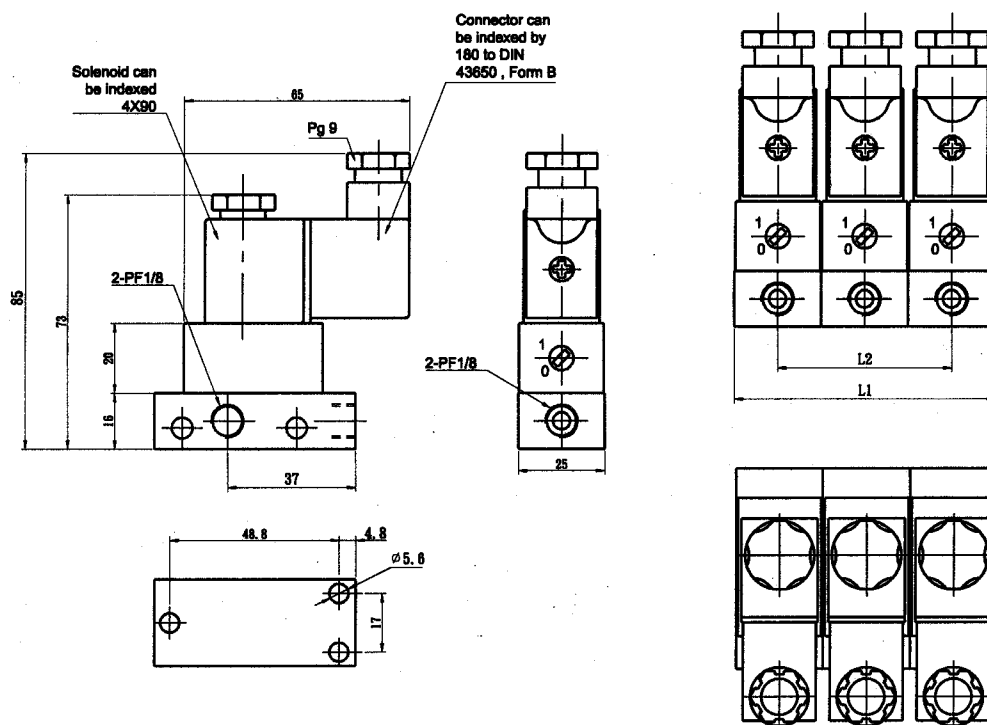
available on request

- Splash-proof design
- Other body-and sealing materials
- Further pressure ranges

# Dimensional drawing 01



# Dimensional drawing 02



Dimension Table 02 (mm)

Cat. No.	for n-valves	L1	L2
9032950-01	1	25	12.5
9032950-02	2	50	25
9032950-03	3	75	50
9032950-04	4	100	75
9032950-05	5	125	100
9032950-06	6	150	125
9032950-07	7	175	150
9032950-08	8	200	175
9032950-09	9	225	200
9032950-10	10	250	225

# Dimensional drawing 03

