

# Technical information

## Z Coil



Coil manufactured from **class H** copper wire, moulded in thermoplastic:

- (polyester) with 30% glass fiber (**type ZB**);
- (polyphenylene) with 40% glass fiber (**type ZH**).

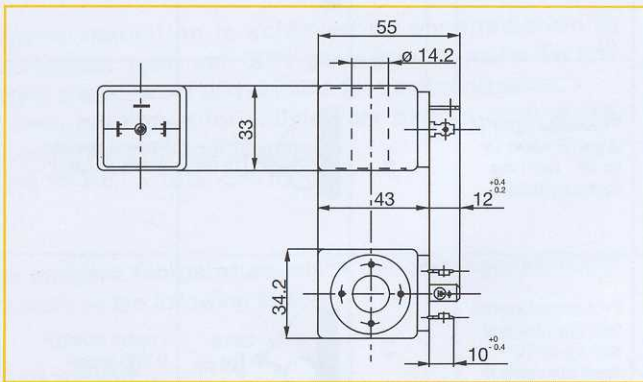
### Features:

<b>Protection</b>	DIN 40050 = IP 65 with connector
<b>Connector</b>	DIN 43650 A - PG 9 or PG 11
<b>Frequency</b>	50/60 Hz

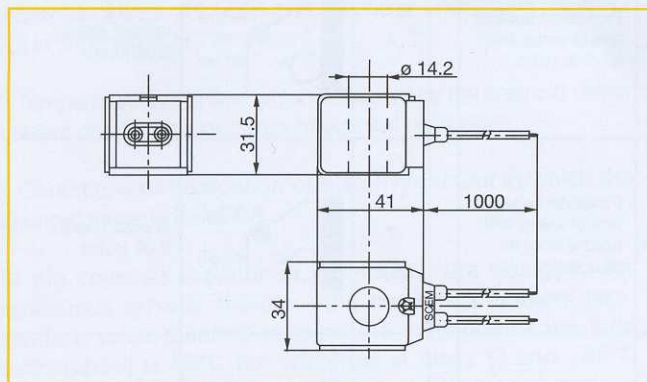
### Types available:

\* **IMQ, VDE, UL** approved for standard voltages

- 1) Class F (155°C)
  - ZB09 = 16 VA - 9 W a.c. Service (25 VA - Inrush)
  - ZB12 = 12 W d.c.
  - ZB14 = 25 VA - 14 W a.c. Service (33 VA - Inrush)
  - ZB16 = 16 W d.c.
- 2) Class H (180°C)
  - ZH14 = 25 VA - 14 W a.c. - Service (33 VA - Inrush)
  - ZH16 = 16 W d.c.



## Y Coil



Coil manufactured from **class H** copper wire, moulded in thermoplastic:

- (polyester) with 30% glass fiber;

### Features:

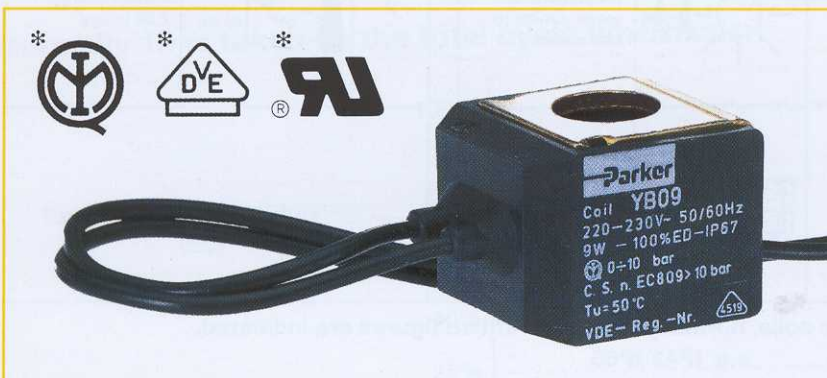
<b>Protection</b>	DIN 40050 = IP 67
<b>Electrical connection</b>	two 1000 mm cables
<b>Frequency</b>	50/60 Hz

### Types available:

\* **IMQ, VDE, UL** approved for standard voltages

- 1) Class F (155°C)
  - YB09 = 15 VA - 9 W a.c. Service (24 VA - Inrush)
  - YB12 = 12 W d.c.
  - YB14 = 24 VA - 14 W a.c. Service (32 VA - Inrush)
  - YB16 = 16 W d.c.
- 2) Class E (120°C)
  - YEO9 = 15 VA - 9 W a.c.

**Note:** recommended for applications where humidity is particularly severe and where ice formation or defrosting may occur.



## J Coil



Coil manufactured from **class H** copper wire, moulded in thermoplastic:  
 - (polyester) with 30% glass fiber;

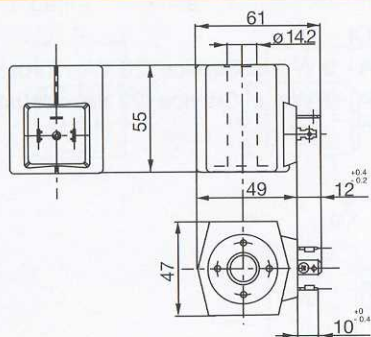
### Features:

<b>Protection</b>	DIN 40050 = IP 65 with connector
<b>Connector</b>	DIN 43650 A - PG 9 or PG 11
<b>Frequency</b>	50/60 Hz
<b>Insulation class</b>	F (155°C)

### Types available:

※ **IMQ** approved for standard voltages

- 1) Class F (155°C)
  - JB14 = 30 VA - 14 W a.c. Service (55 VA - Inrush)
  - ZB16 = 16 W d.c.



## K Coil



Coil manufactured from **class F** copper wire (**type KT09**), moulded in thermoplastic:  
 - (polyamide) with 30% glass fiber;

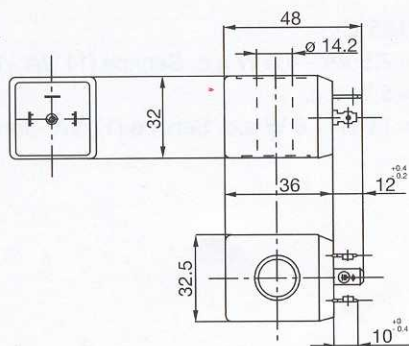
### Features:

<b>Protection</b>	DIN 40050 = IP 65 with connector
<b>Connector</b>	DIN 43650 A - PG 9 or PG 11
<b>Frequency</b>	50/60 Hz
<b>Insulation class</b>	F (155°C)

### Types available:

※ **IMQ** approved for standard voltages

- 1) Class F (155°C)
  - KT09 = 12 VA - 9 W a.c. Service (20 VA - Inrush)
  - KP07 = 13 VA - 7 W a.c. Service (22 VA - Inrush)
  - KP10 = 10 W d.c.





# Technical information

## X Coil



Coil manufactured from **class F** copper wire, moulded in thermoplastic:

- (polyamide) with 30% glass fiber;

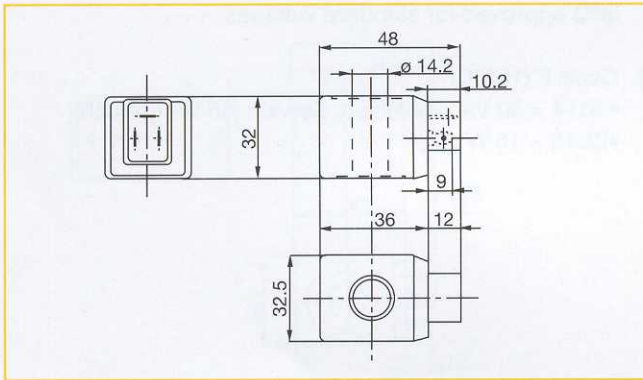
### Features:

<b>Protection</b>	DIN 40050 = IP 54 with plug
<b>Connector</b>	Plug with special three-core cable
<b>Frequency</b>	50 or 60 Hz
<b>Insulation class</b>	F (155°C)

### Types available:

\* **IMQ** approved for standard voltages

- 1) Class F (155°C)
  - XT09 = 12 VA - 9 W a.c. Service (20 VA - Inrush)
  - XP07 = 13 VA - 7 W a.c. Service (22 VA - Inrush)



## W Coil



Coil manufactured from **class H** copper wire, moulded in thermoplastic:

- (polyester) with 30% glass fiber;

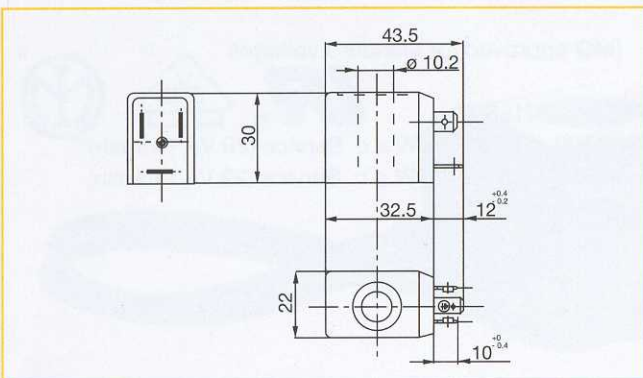
### Features:

<b>Protection</b>	DIN 40050 = IP 65 with connector
<b>Connector</b>	DIN 43650 B - PG 9
<b>Frequency</b>	50/60 Hz
<b>Insulation class</b>	F (155°C)

### Types available:

\* **IMQ, VDE, UL** approved for standard voltages

- 1) Class F (155°C)
  - WB4.5 = 7.5 VA - 4.5 W a.c. Service (11 VA - Inrush)
  - WB5.0 = 5 W d.c.
  - WB8.0 = 11 VA - 8 W a.c. Service (17 VA - Inrush)



## BH-DH, C-23, R-23 Coil



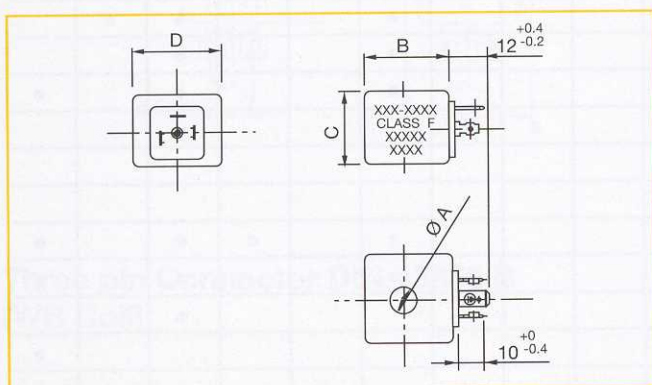
Coil manufactured from **class H** copper wire, moulded in epoxy resin.

### Features:

<b>Protection</b>	DIN 40050 = IP 65 with connector
<b>Connector</b>	DIN 43650 A - PG 9 or PG 11
<b>Frequency</b>	50 Hz
<b>Insulation class</b>	H (180°C)

### Types available:

- \* **IMQ, UL** approved for standard voltages
- 1) Class H (180°C)
  - PH = A.C. 16 VA - 10.2 W a.c. Service (26 VA - Inrush);
  - PH = A.C. 23 VA - 16 W a.c. Service (32 VA - Inrush);
  - 1H PH = C.C. 9.5 W;
  - 3H PH = C.C. 11.5 W;
  - R-23, C-23 = A.C. 15 VA - 11 W a.c. Service (36 VA - Inrush);
  - R-23, C-23 = C.C. 16 W



	BH C-23	DH R-23
Ø A	11 mm	14.4 mm
B	39.5 mm	44.5 mm
C	34.2 mm	39.1 mm
D	41.5 mm	47 mm